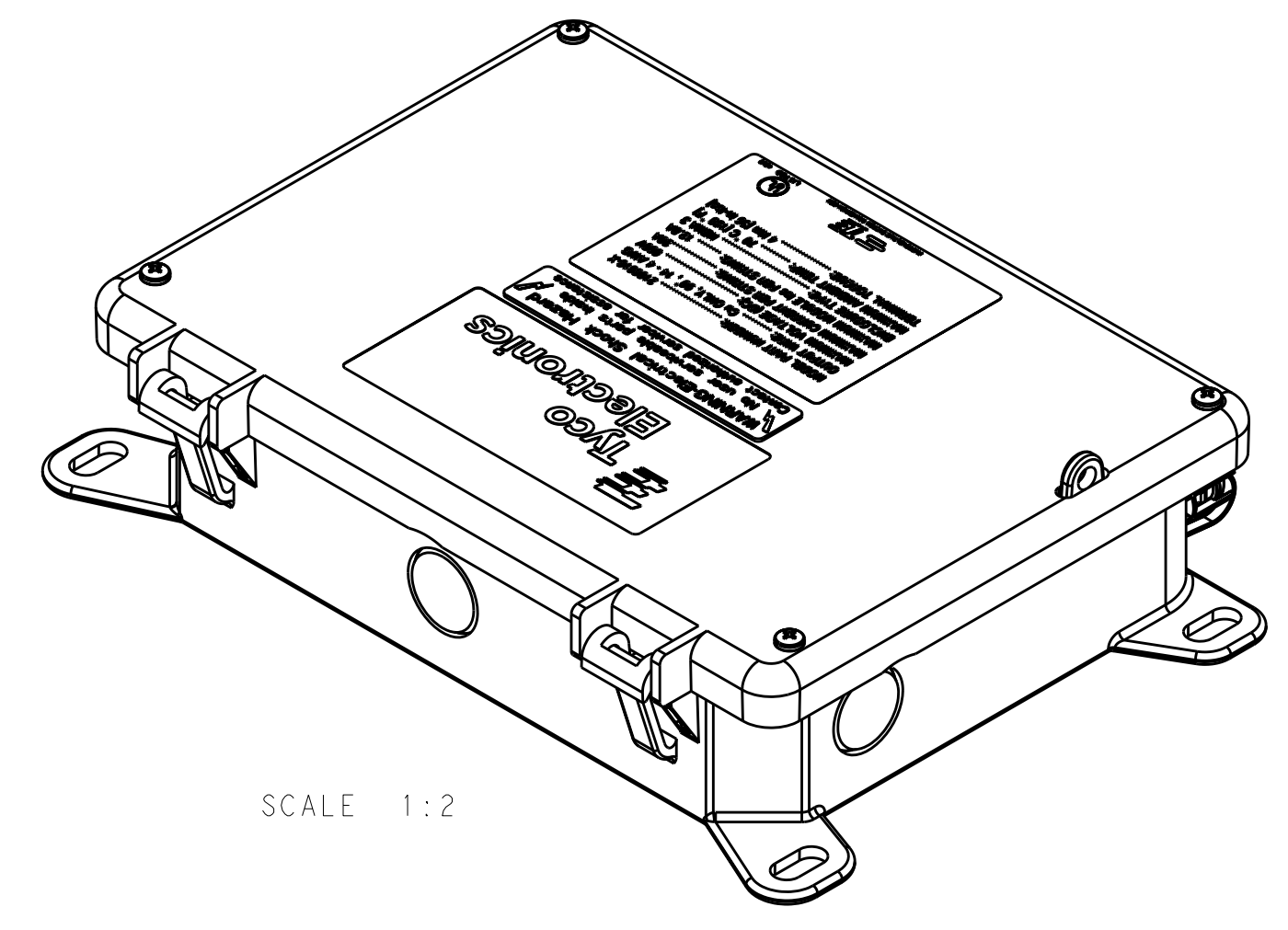
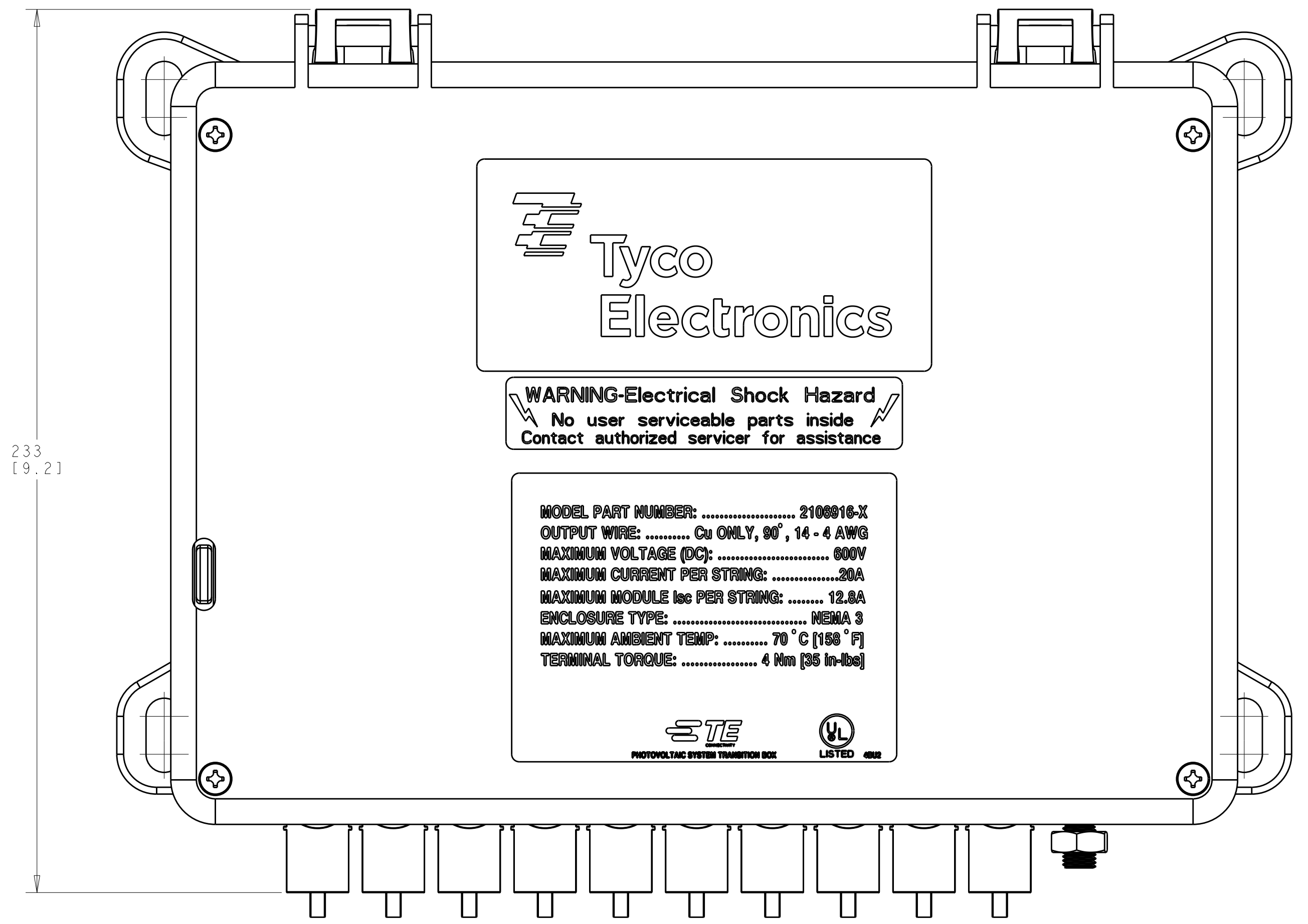
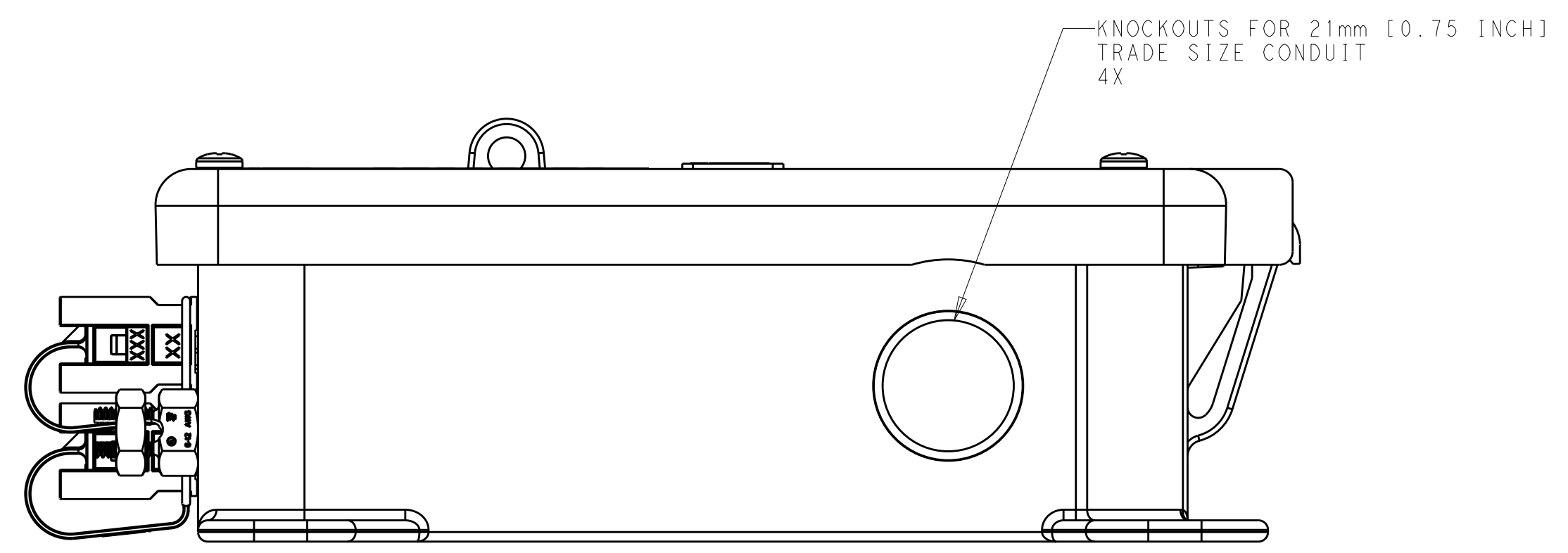
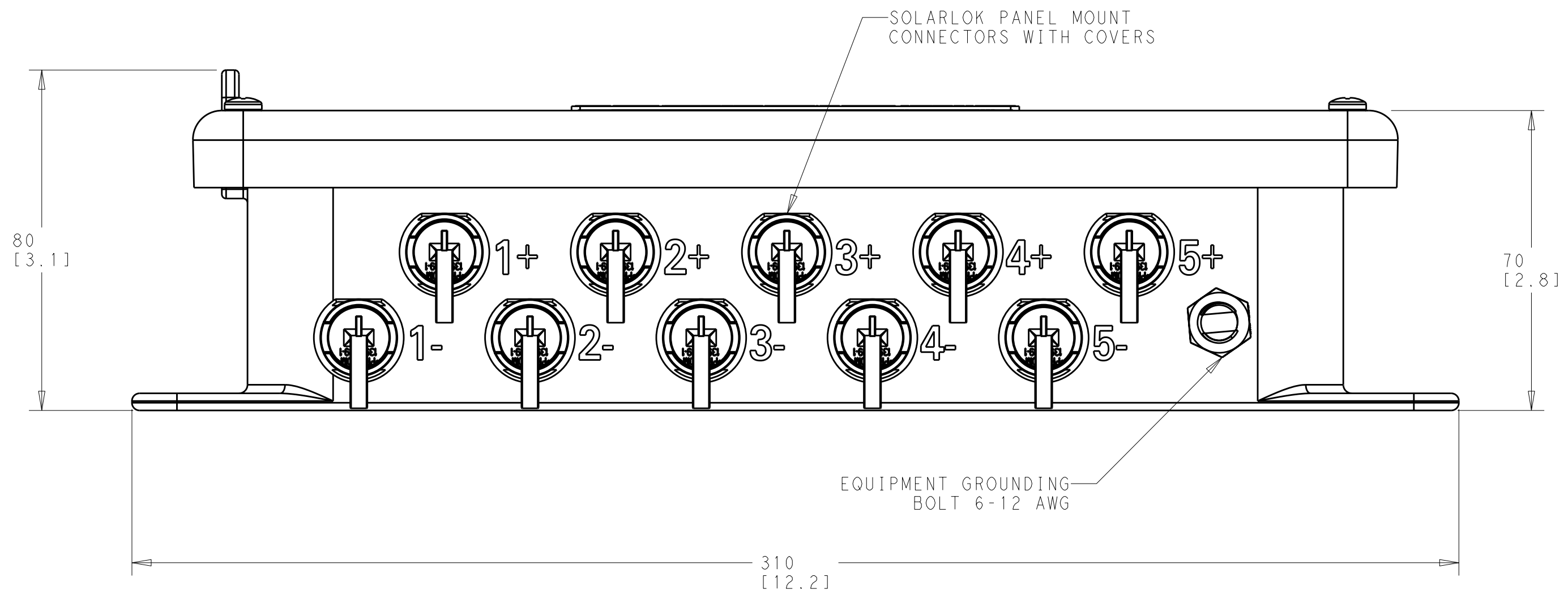


LOC	DIST	REV	DATE	BY	APPD
-	-	C	25MAR2011	KT	JE



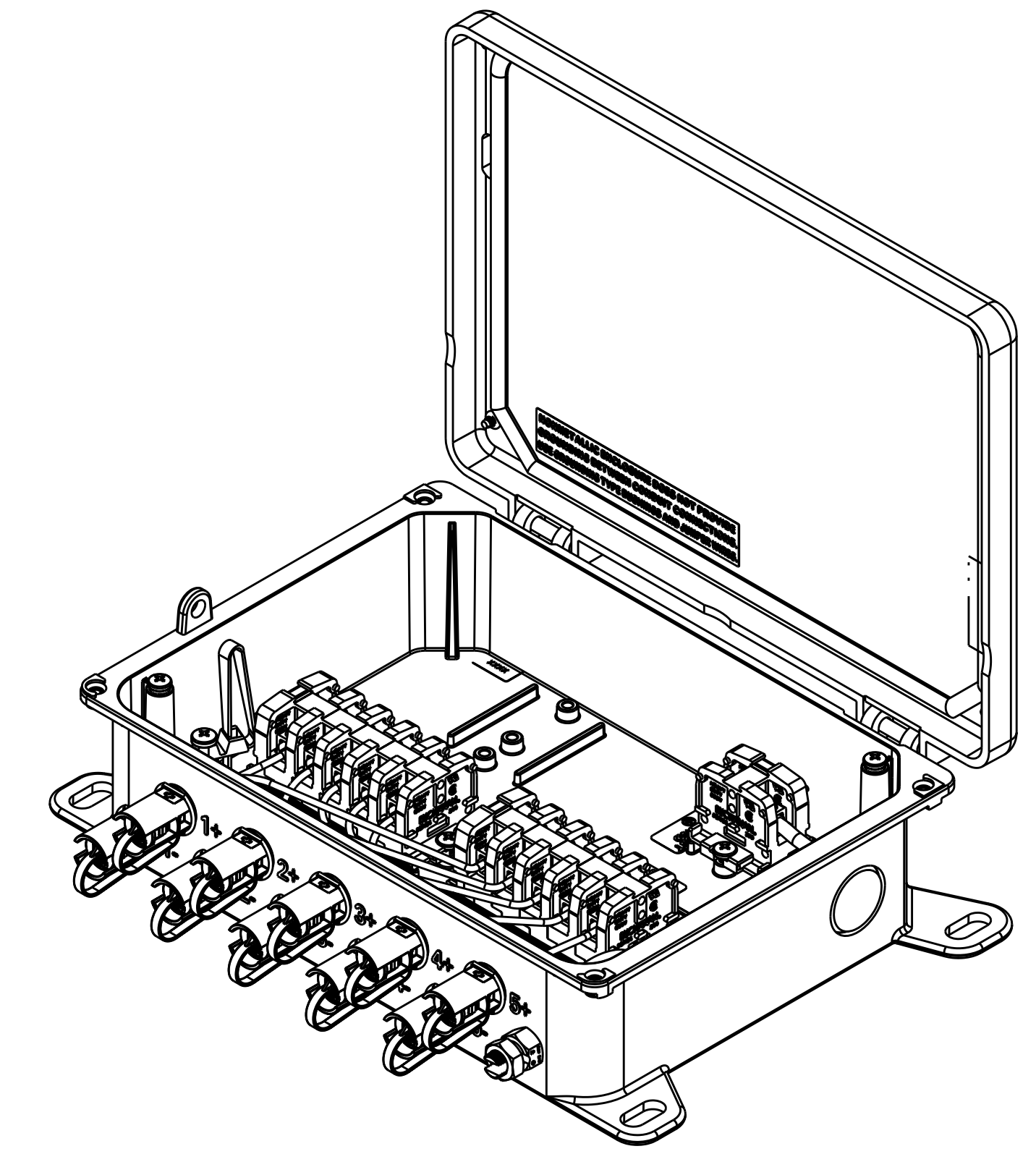
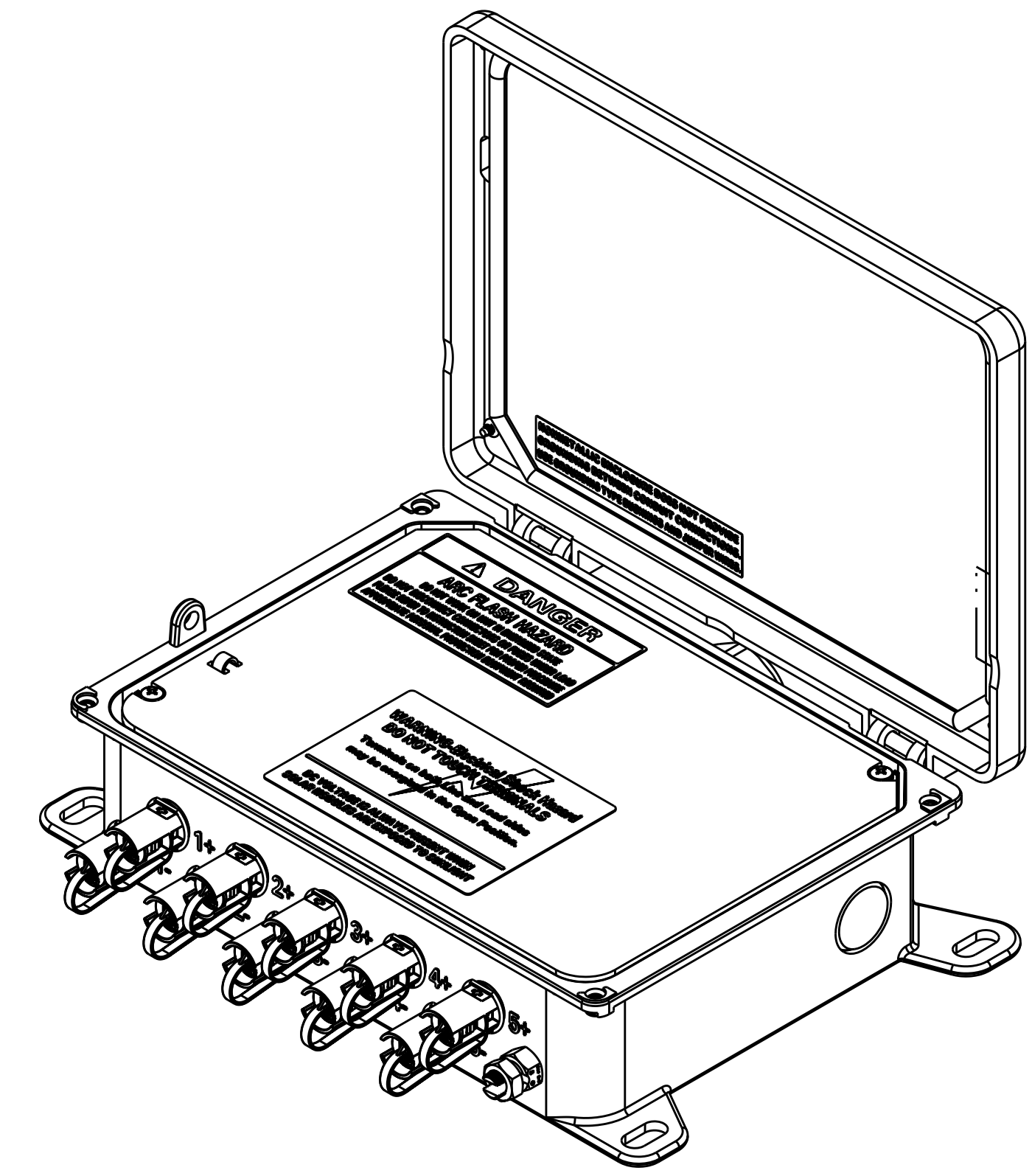
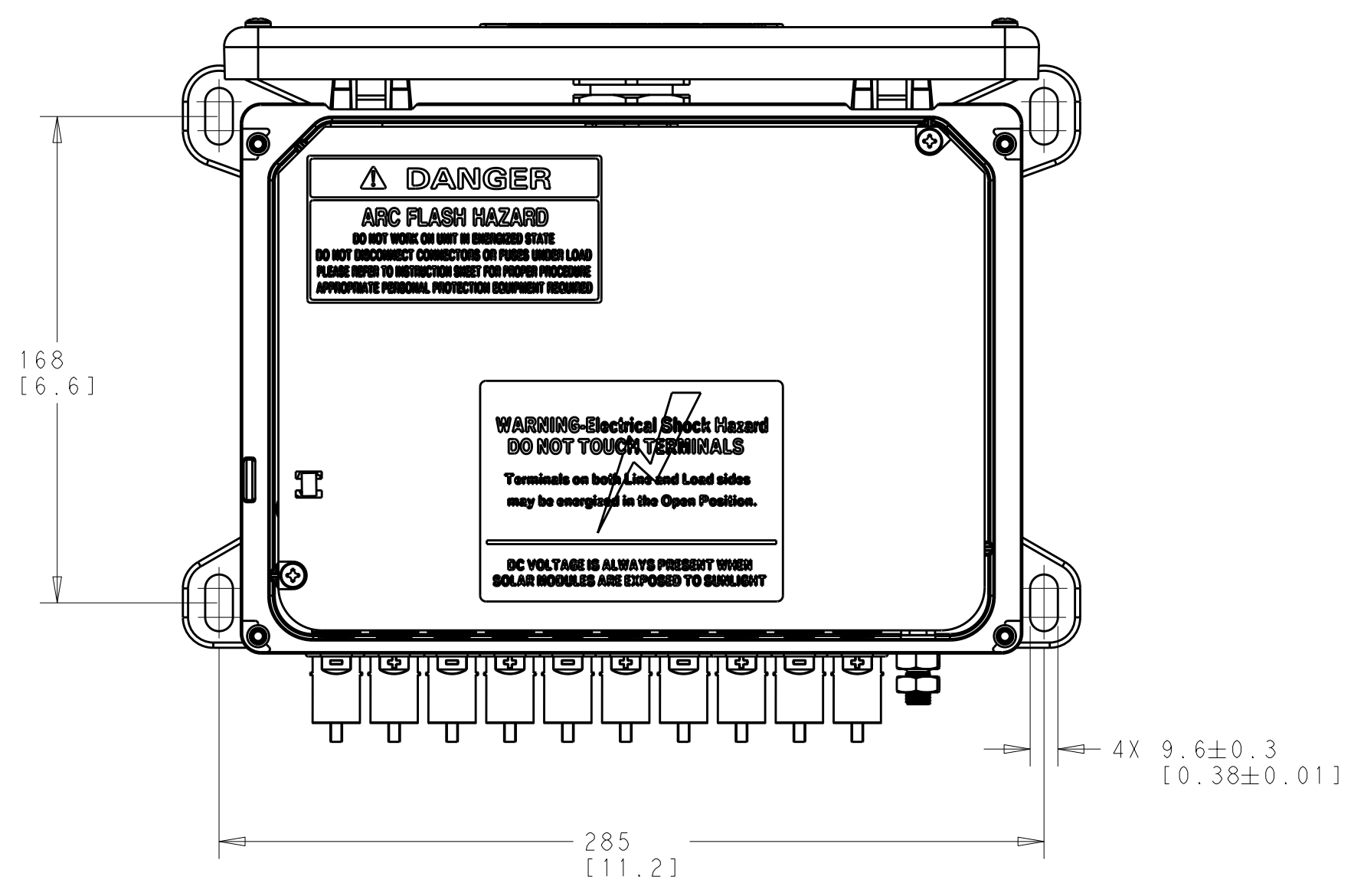
- SEE INSTRUCTION SHEET 408-10360 FOR INSTALLATION REQUIREMENTS AND RATINGS FOR THE TRANSITION BOX.
- MOUNTING HARDWARE NOT SUPPLIED.
- THIS PRODUCT HAS NOT COMPLETED VALIDATION TESTING. IT HAS COMPLETED VERIFICATION TESTING AND UL LISTING (FILE E321923).
- THE INSIDE OF THE TRANSITION BOX IS NOT TO BE MODIFIED IN ANY WAY OR HAVE ADDITIONAL COMPONENTS INSTALLED (OTHER THAN THAT DESCRIBED BY THE INSTRUCTION SHEET 408-10360) AS THIS MAY VOID UL APPROVALS FOR THE TRANSITION BOX.



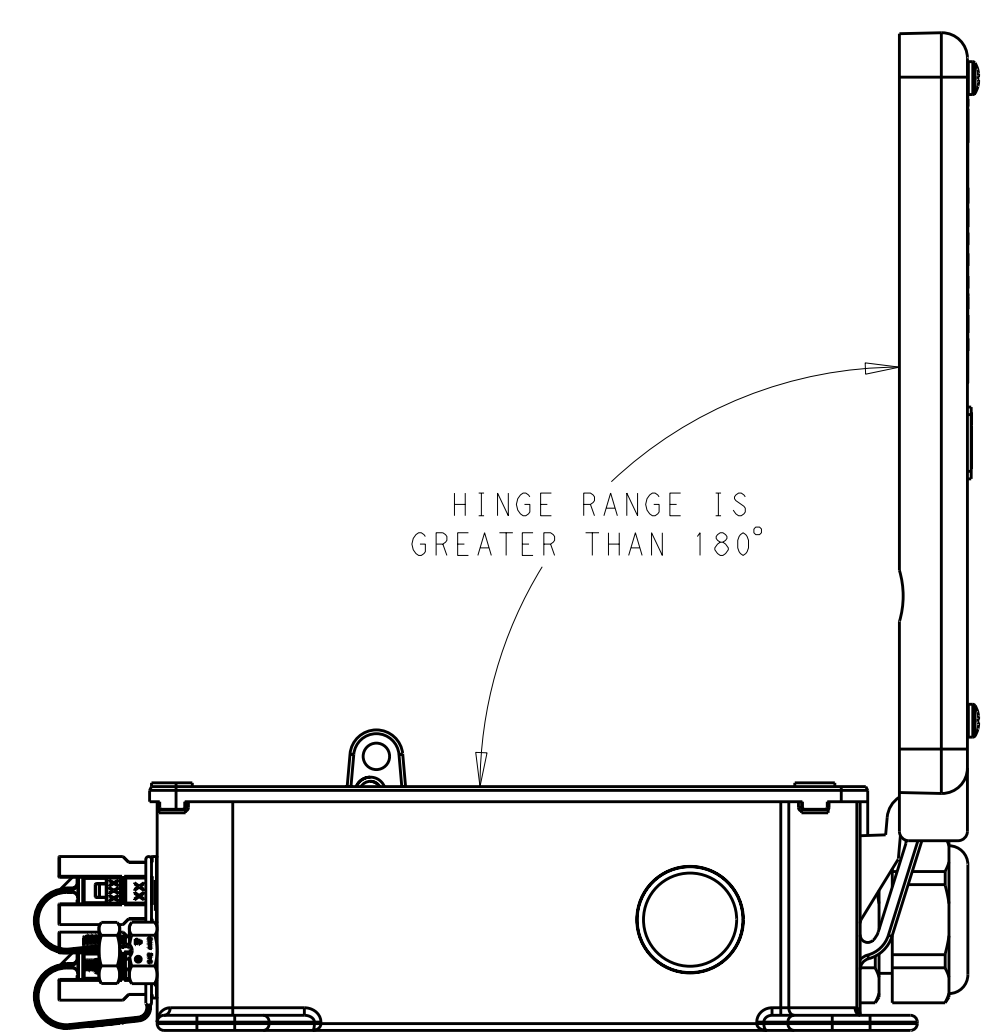
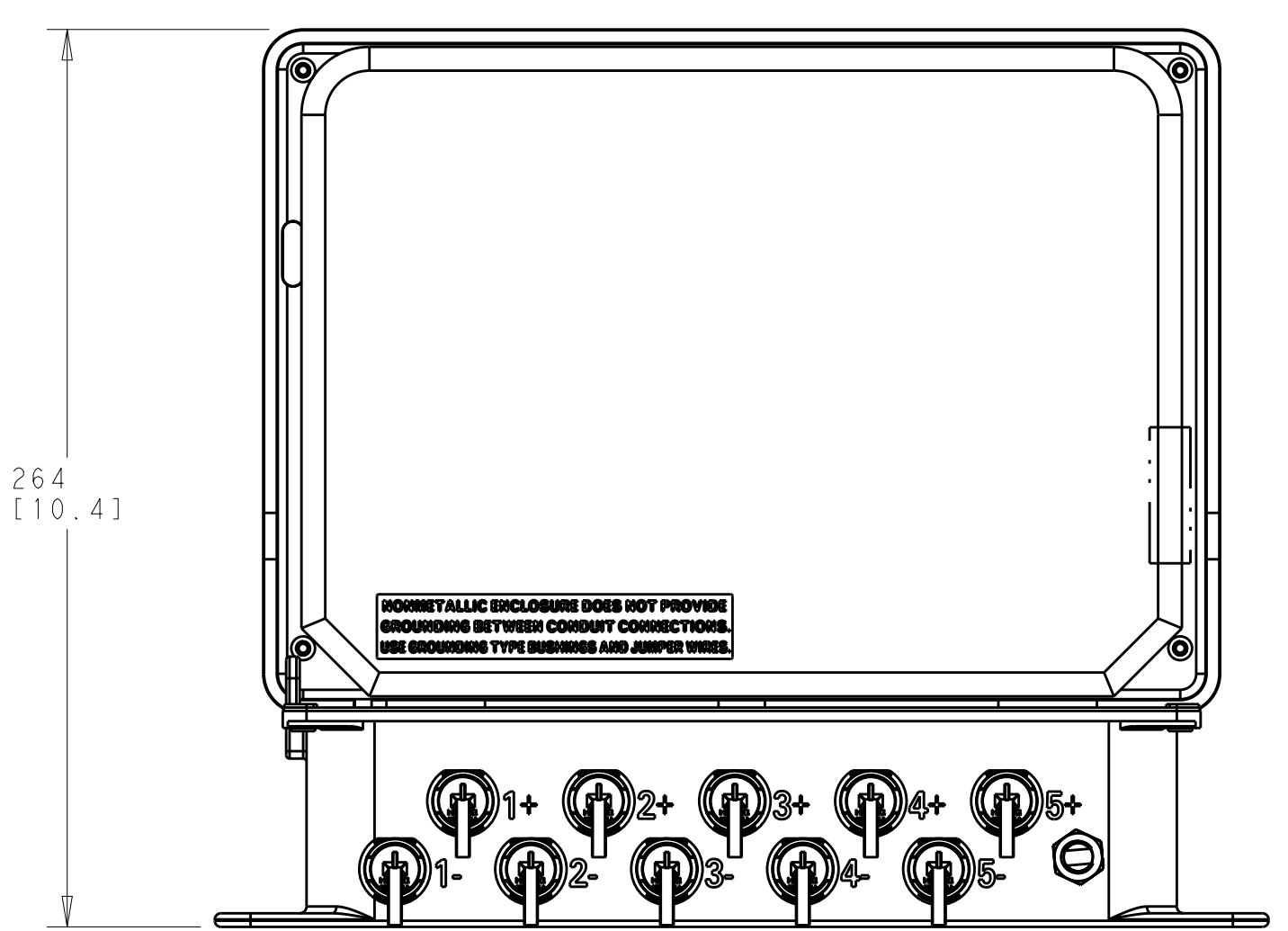
BLACK	2106916-1
ENCLOSURE COLOR	PART NUMBER

DIMENSIONS: mm TOLERANCES UNLESS OTHERWISE SPECIFIED: 0 PLC ±.5 1 PLC ±0.13 2 PLC ±0.13 3 PLC ±0.013 4 PLC ±0.0000 ANGLES ±.1 FINISH -		DWN S. WELDON 11JAN2011 CHK M. LAUEMANN 11JAN2011 APVD M. LAUEMANN 11JAN2011 PRODUCT SPEC - APPLICATION SPEC - WEIGHT 1.43kg [3.2 lbs] CUSTOMER DRAWING	Tyco Electronics Corporation Harrisburg, PA 17105-3608 NAME TRANSITION BOX, 5 STRING SIZE CAGE CODE DRAWING NO. A100779C-2106916 RESTRICTED TO - SCALE 1:3 SHEET 1 OF 2 REV C
--	--	---	--

LOC	DIST	REV	DATE	BY	APPD
-	-	1	-	-	-
DESCRIPTION			DATE	BY	APPD
SEE SHEET 1			-	-	-



SHOWN OPEN WITH INNER COVER REMOVED



DIMENSIONS:		TOLERANCES UNLESS OTHERWISE SPECIFIED:		DWN S. WELDON 11 JAN 2011		Tyco Electronics Corporation Harrisburg, PA 17105-3608	
mm	0 PLC ±0.5	1 PLC ±0.5	2 PLC ±0.13	3 PLC ±0.013	4 PLC ±0.000	5 ANGLE ±0.000	FINISH
MATERIAL		FINISH		WEIGHT 1.43kg (3.2 lbs)		SCALE 1:2 SHEET 2 OF 2 REV C	
CUSTOMER DRAWING				A100779C-2106916		RESTRICTED TO	
NAME		PRODUCT SPEC		APPLICATION SPEC		SIZE CAGE CODE DRAWING NO	
TRANSITION BOX, 5 STRING						A100779C-2106916	